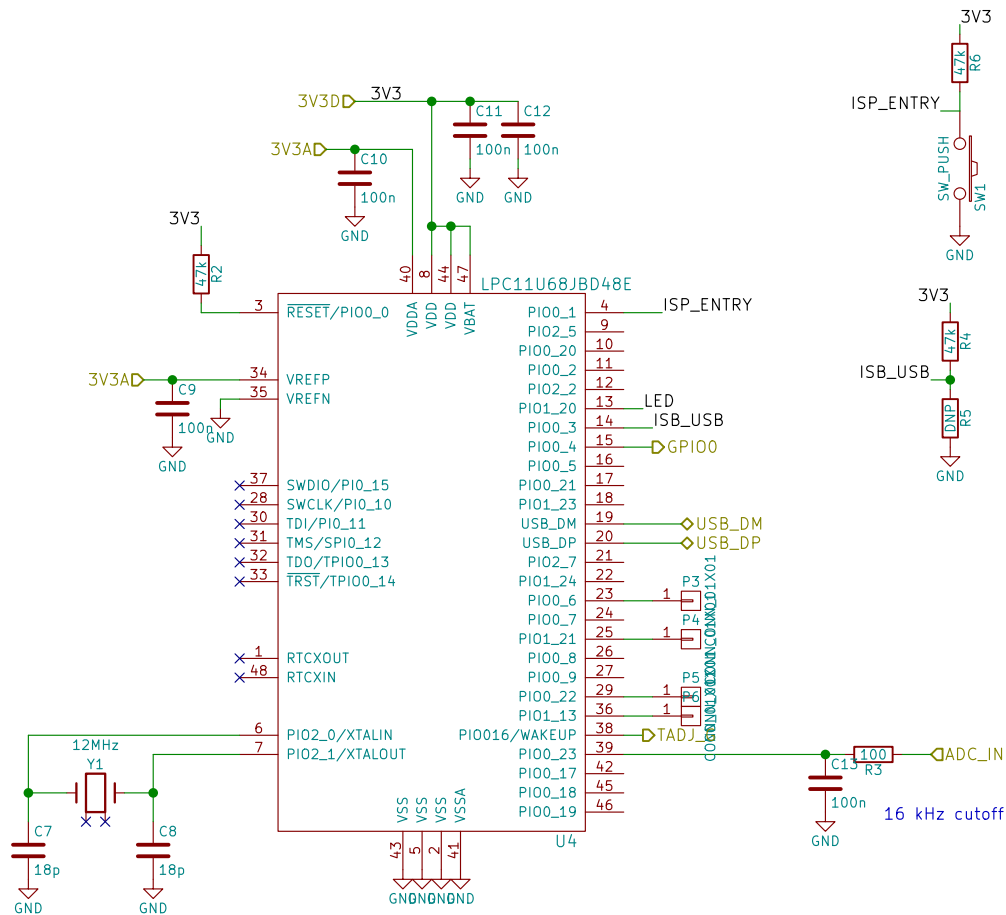
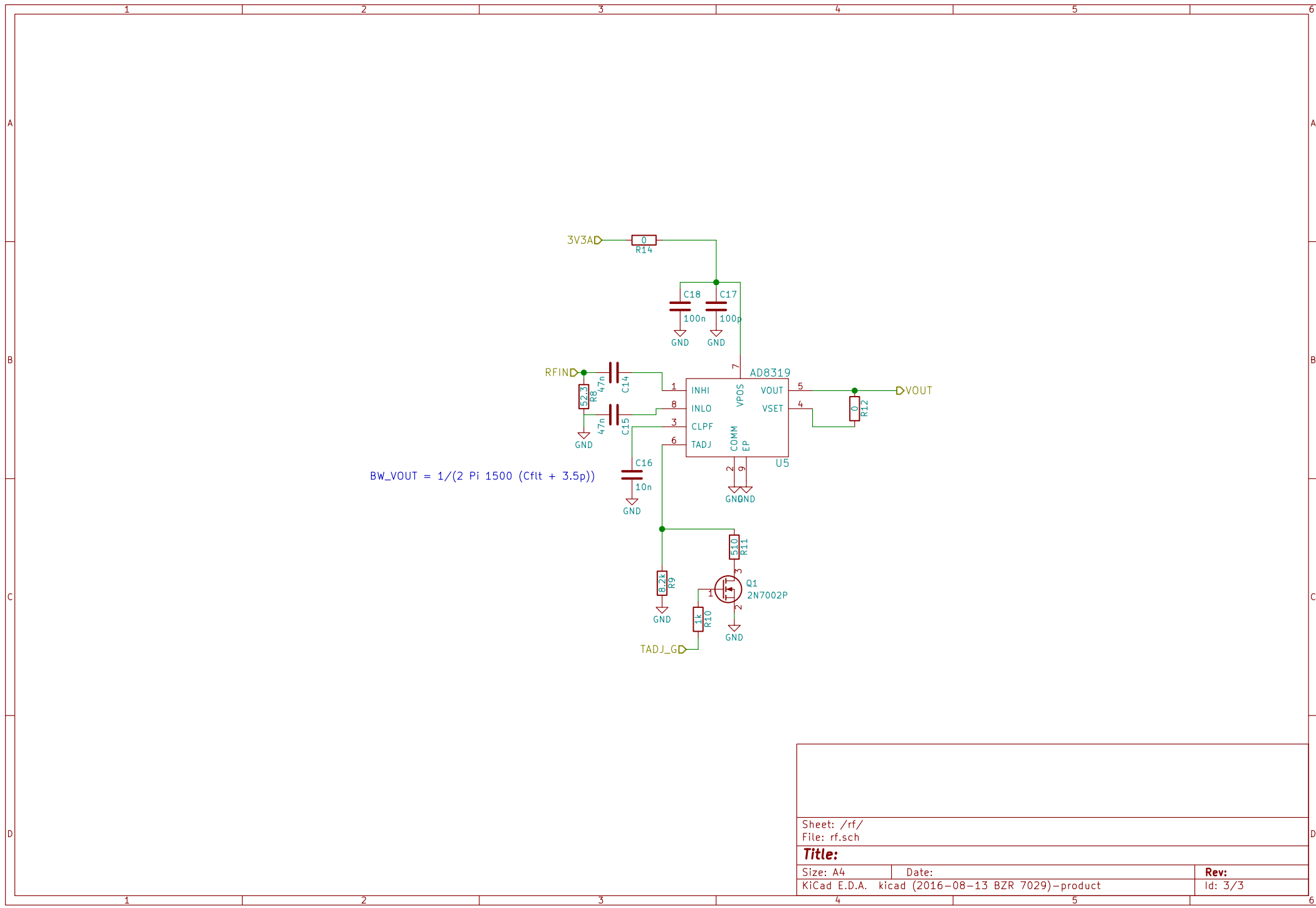


Sheet: /		
File: detector.sch		
<b>Title:</b>		
Size: A4	Date:	Rev:
KiCad E.D.A. kicad (2016-08-13 BZR 7029)-product		Id: 1/3



Sheet: /mcu/ File: mcu.sch	
<b>Title:</b>	
Size: A4	Date:
KiCad E.D.A. kicad (2016-08-13 BZR 7029)-product	
Rev: 2/3	



Sheet: /rf/ File: rf.sch		
<b>Title:</b>		
Size: A4	Date:	Rev:
KiCad E.D.A. kicad (2016-08-13 BZR 7029)-product		Id: 3/3