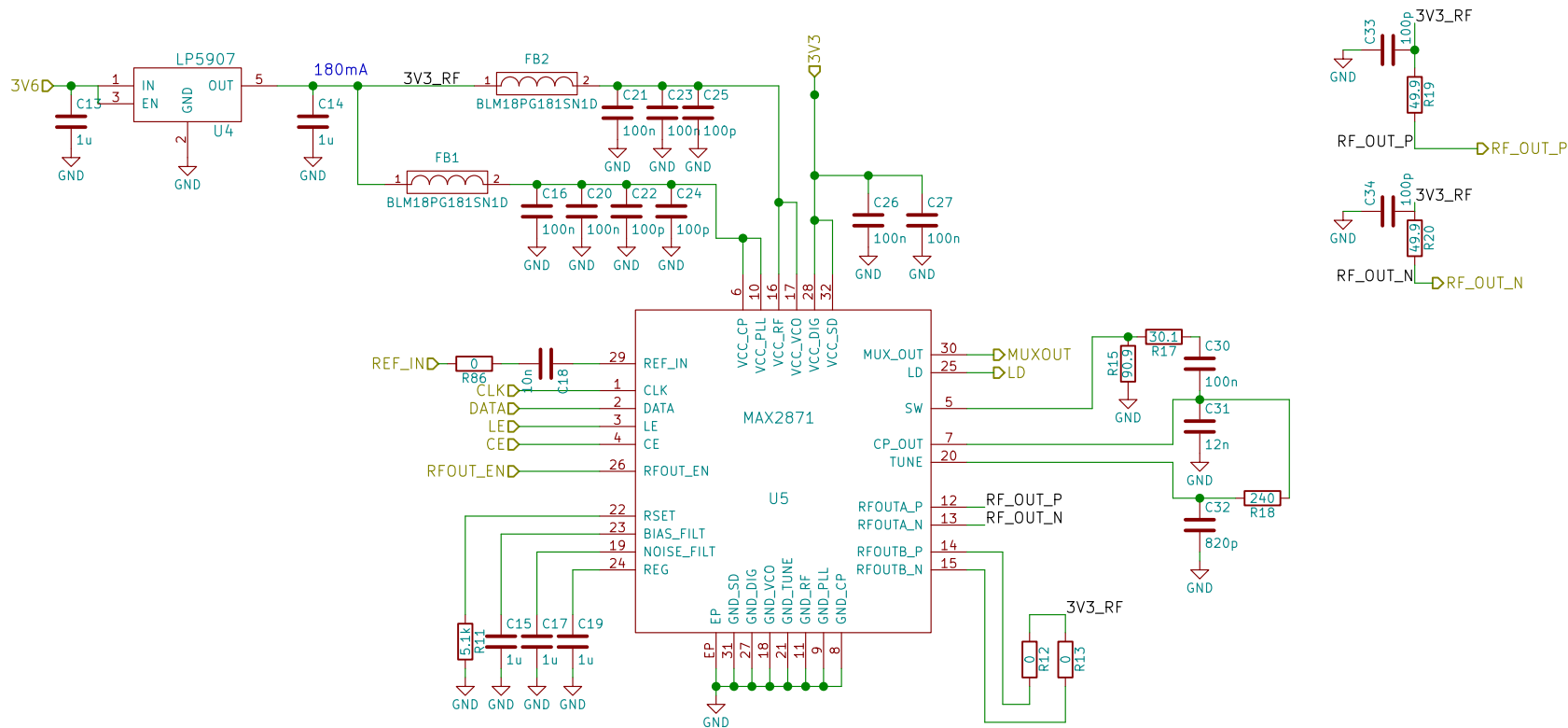


Henrik Forstén	
Sheet: /	
File: vna.sch	
Title: VNA	
Size: A4	Date: 2016-07-27
KiCad E.D.A. kicad (2016-07-19 BZR 6987)-product	
Rev: 1	
Id: 1/8	



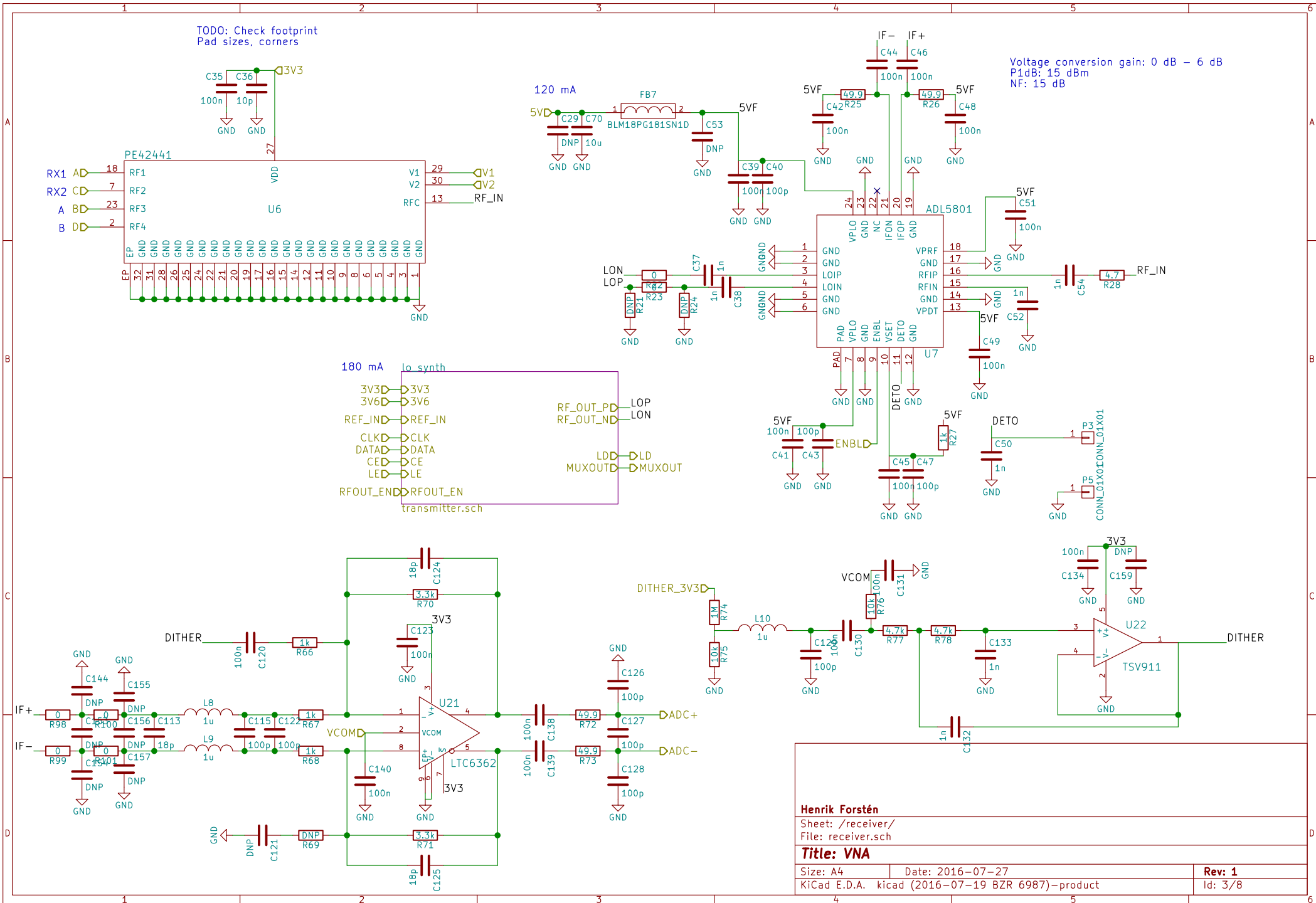
Henrik Forstén

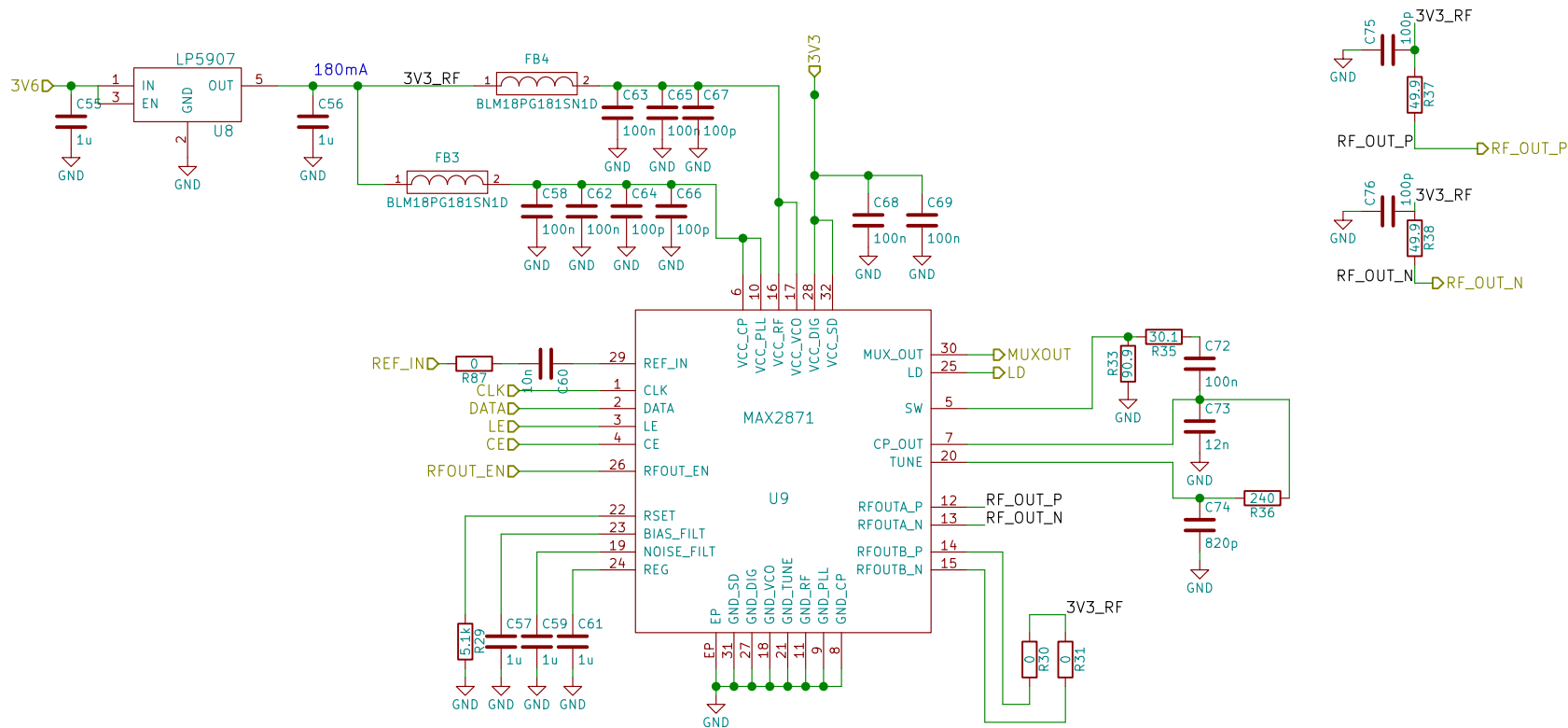
Sheet: /transmitter/
File: transmitter.sch

Title: VNA

Size: A4 Date: 2016-07-27
KiCad E.D.A. kicad (2016-07-19 BZR 6987)-product

Rev: 1
Id: 2/8





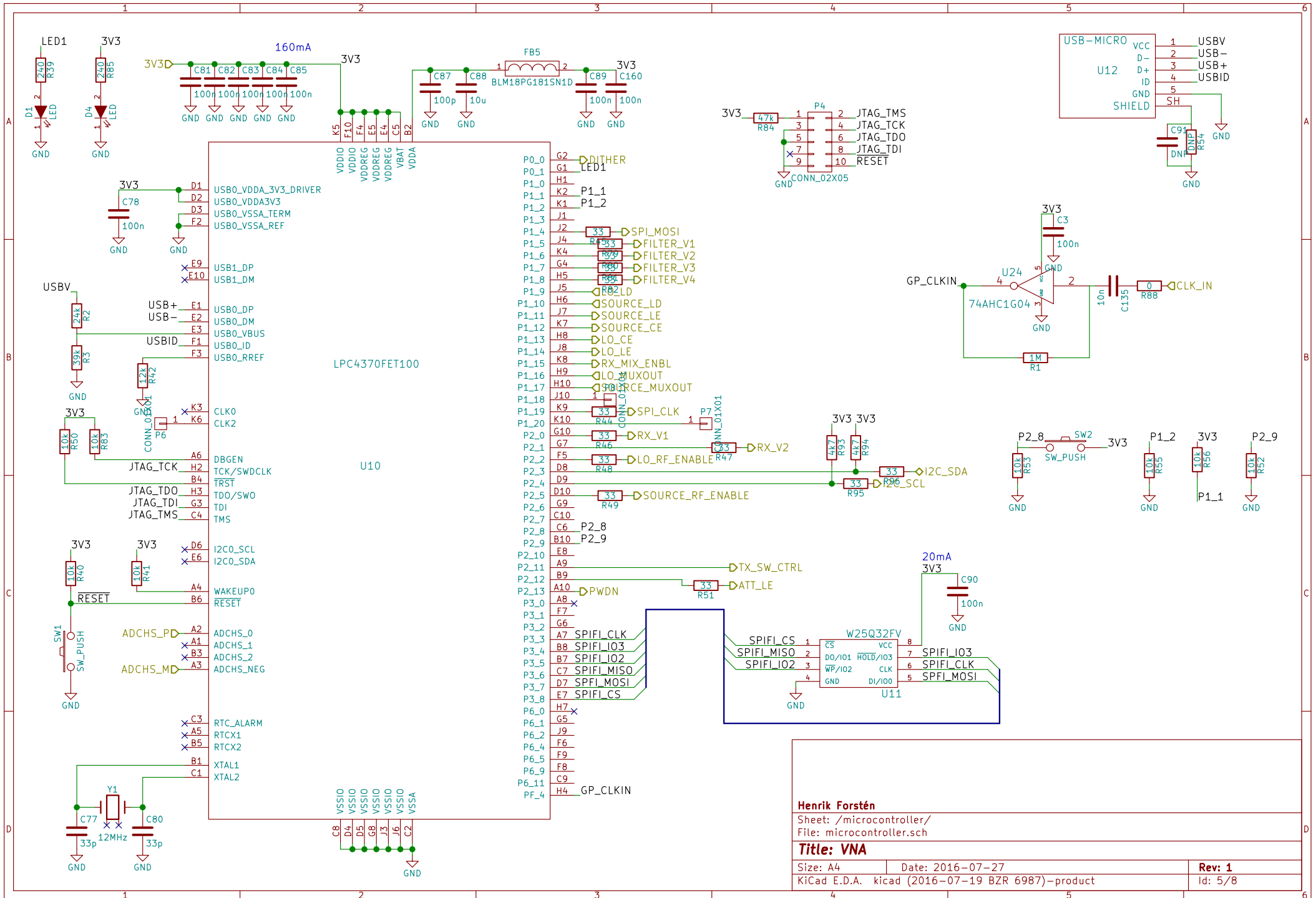
Henrik Forstén

Sheet: /receiver/lo_synth/
File: transmitter.sch

Title: VNA

Size: A4 Date: 2016-07-27
KiCad E.D.A. kicad (2016-07-19 BZR 6987)-product

Rev: 1
Id: 4/8



Henrik Forstén

Sheet: /microcontroller/
File: microcontroller.sch

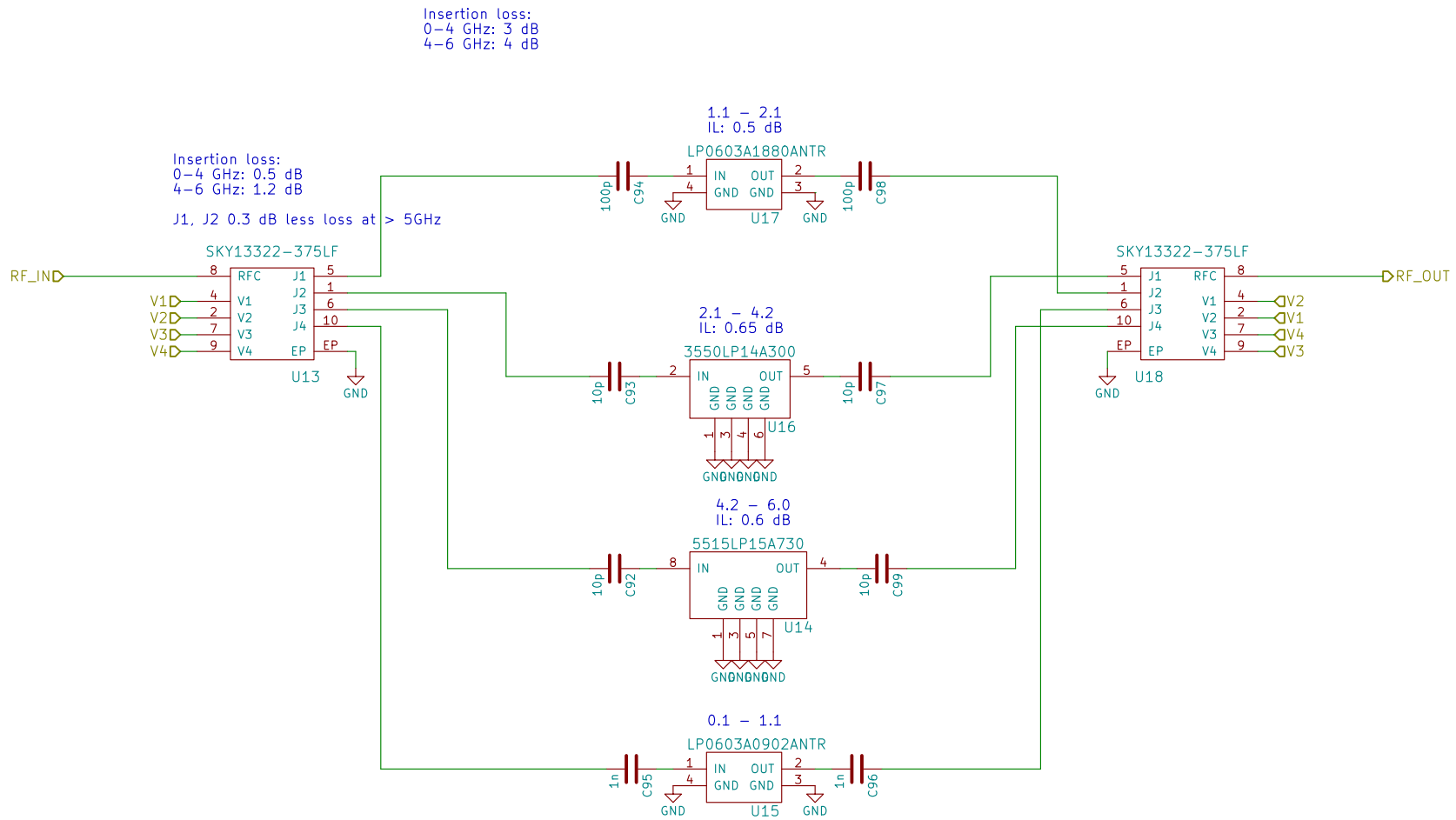
Title: VNA

Size: A4 Date: 2016-07-27

KiCad E.D.A. kicad (2016-07-19 BZR 6987)-product

Rev: 1

Id: 5/8



Henrik Forstén

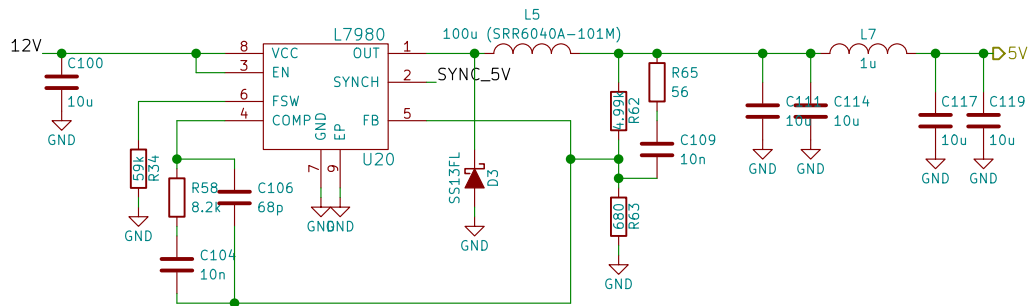
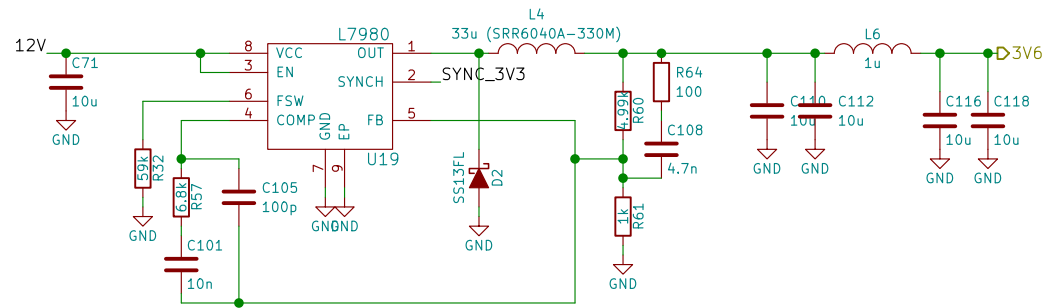
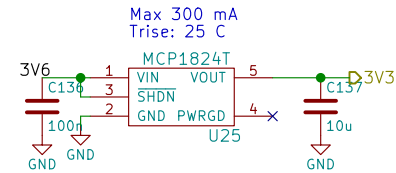
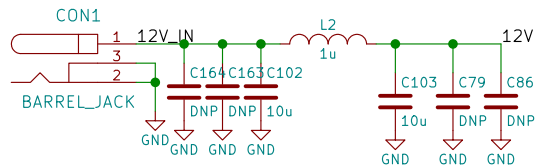
Sheet: /filter_bank/
File: filter_bank.sch

Title: VNA

Size: A4
KiCad E.D.A. kicad (2016-07-19 BZR 6987)-product

Date: 2016-07-27

Rev: 1
Id: 6/8



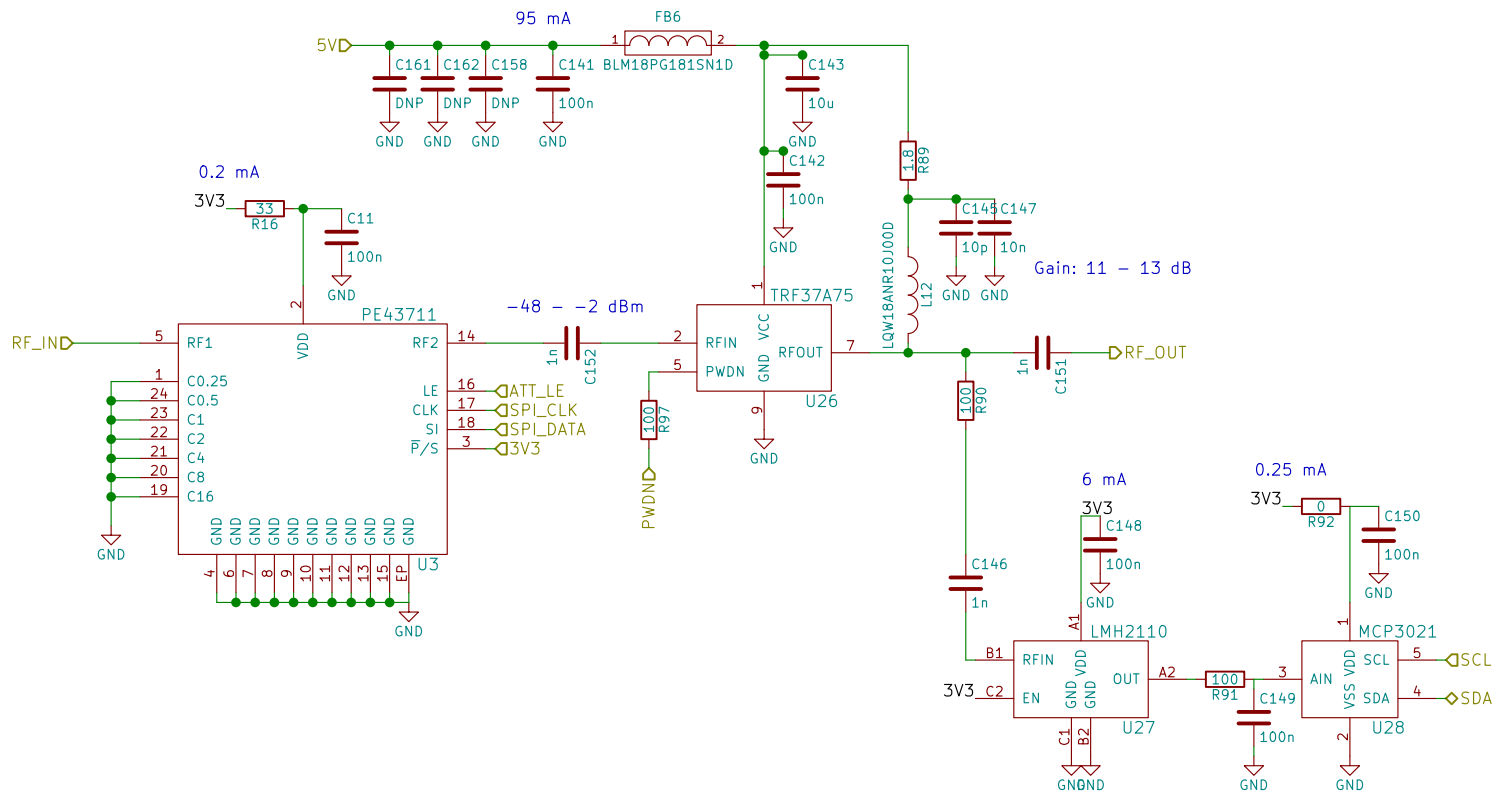
Henrik Forstén

Sheet: /power/
File: power.sch

Title: VNA

Size: A4 Date: 2016-07-27
KiCad E.D.A. kicad (2016-07-19 BZR 6987)-product

Rev: 1
Id: 7/8



Henrik Forstén

Sheet: /tx_amp/
File: tx_amp.sch

Title: VNA

Size: A4 Date: 2016-07-27
KiCad E.D.A. kicad (2016-07-19 BZR 6987)-product

Rev: 1
Id: 8/8