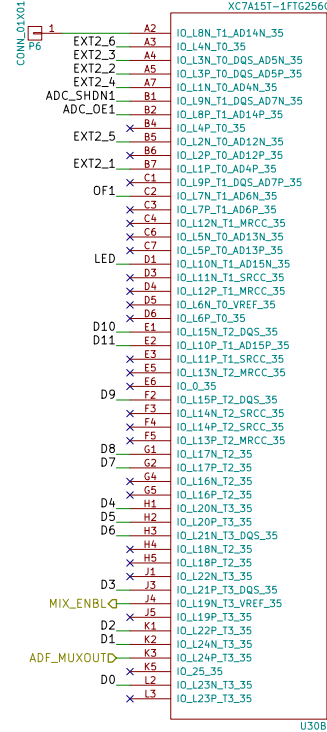
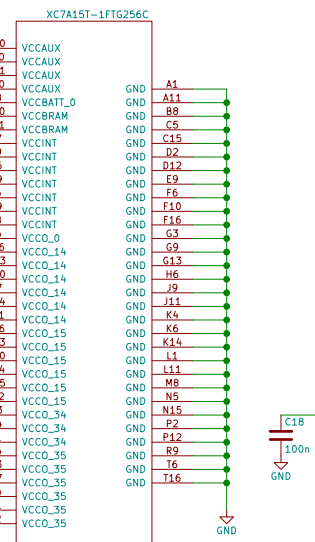
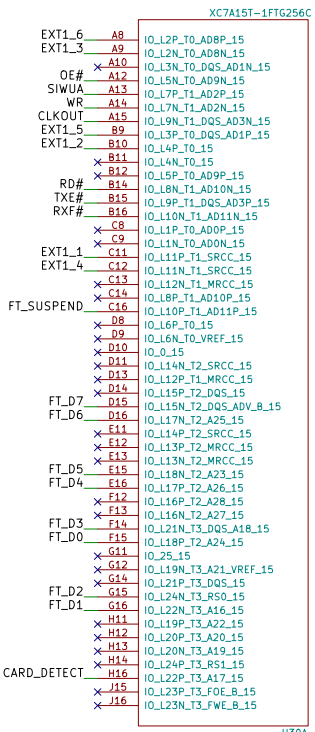
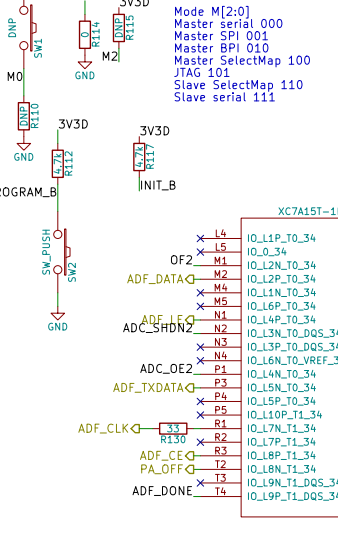
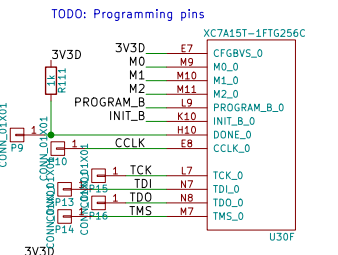
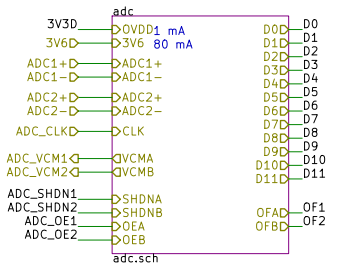
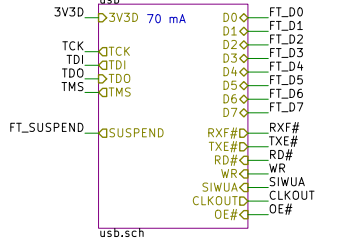
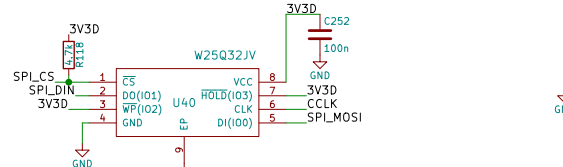
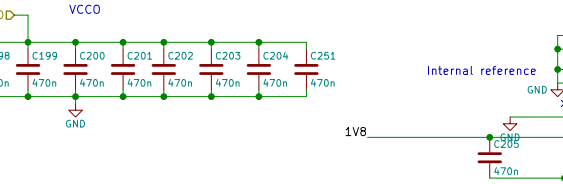
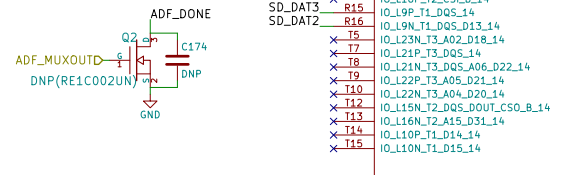
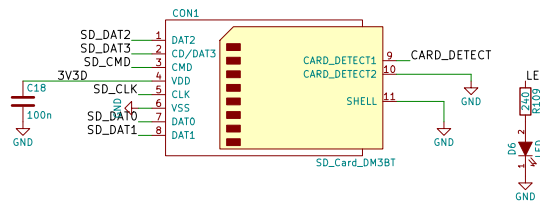
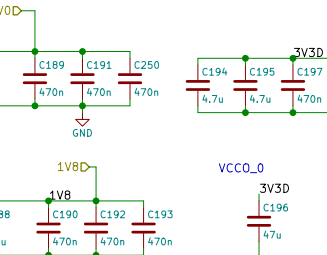


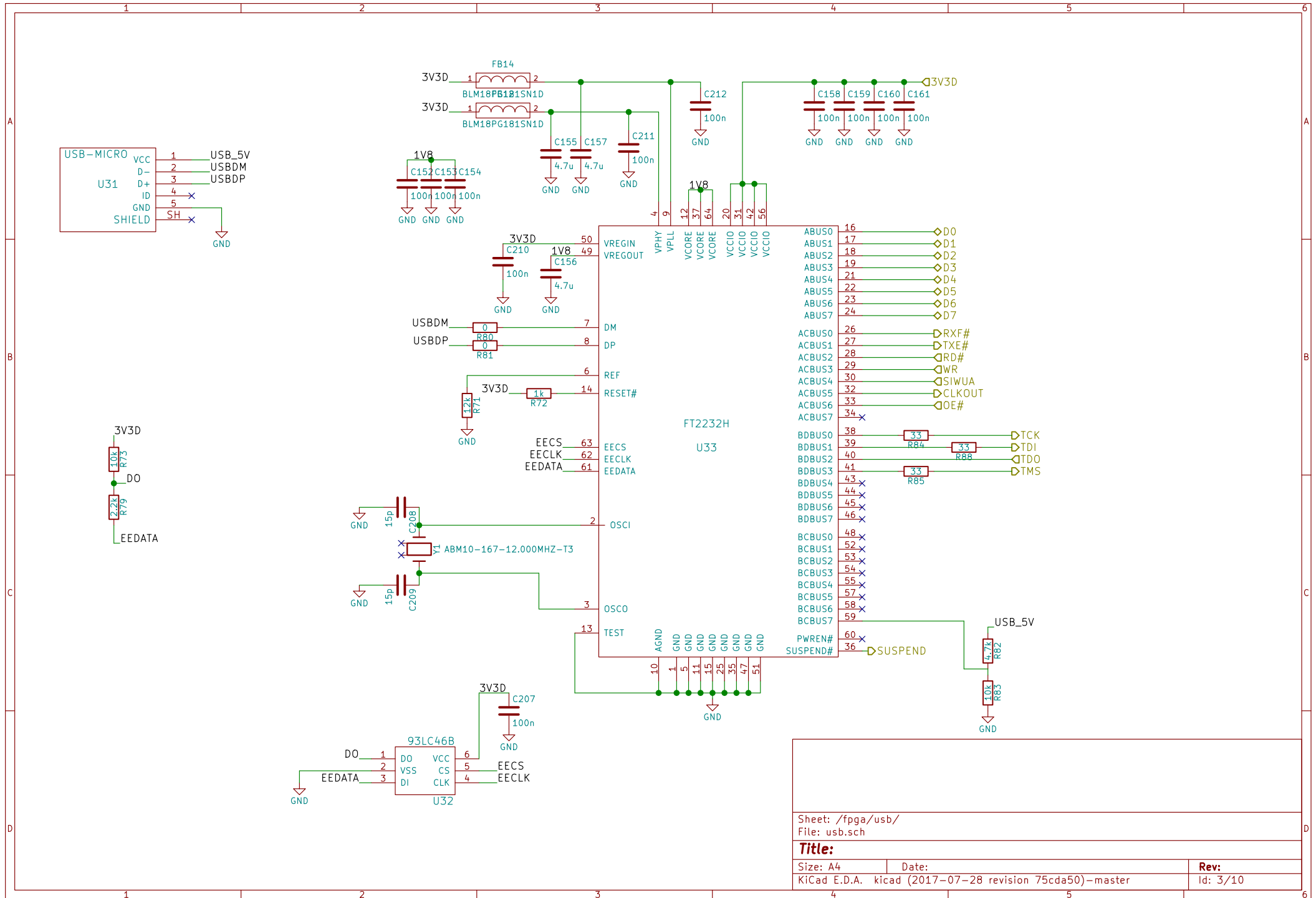
Sheet: /	
File: fmcw3.sch	
Title:	
Size: A4	Date:
KiCad E.D.A. kicad (2017-07-28 revision 75cda50)-master	
Rev: 1/10	

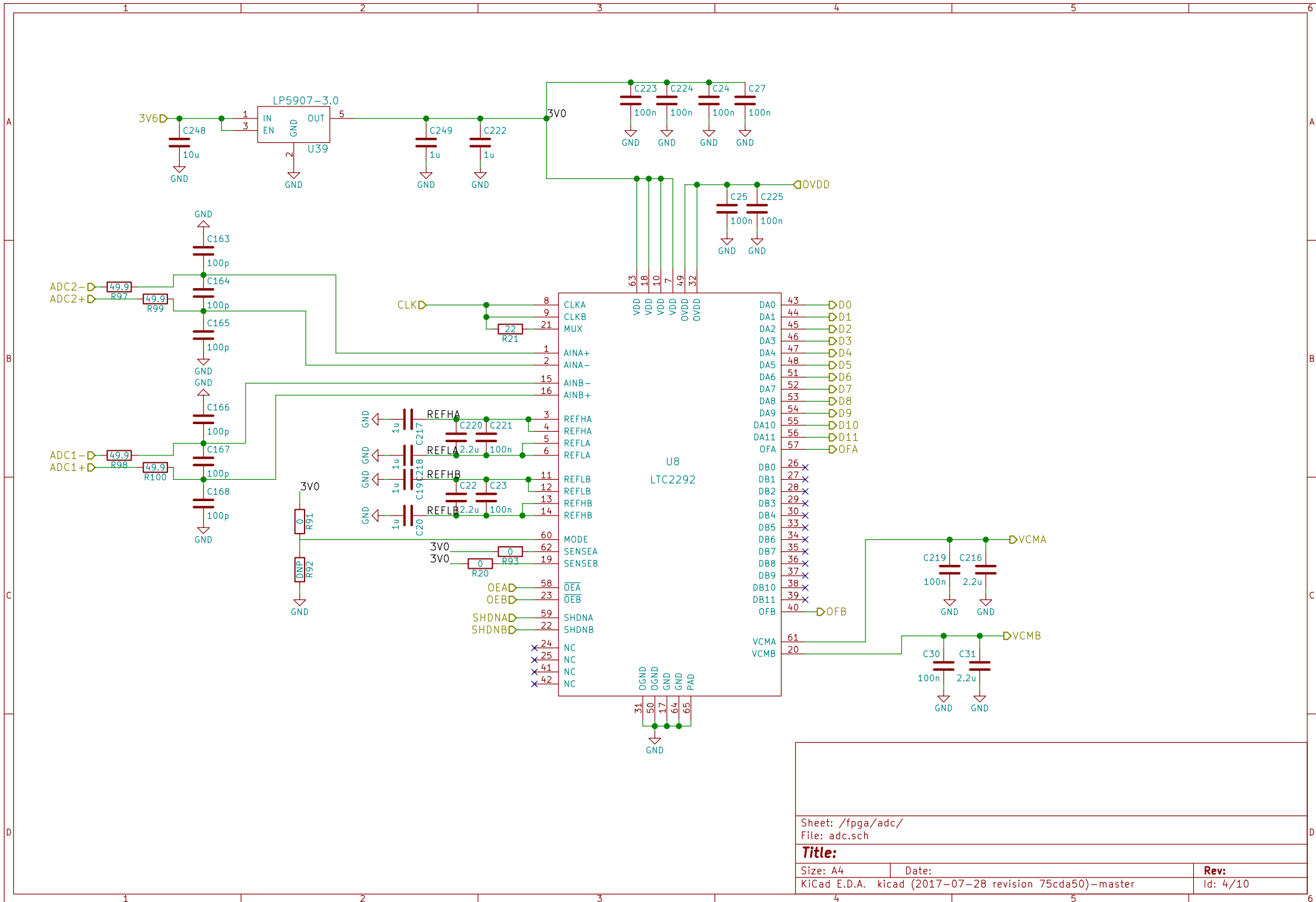


Power supply ramp time: 0.2 ms - 50 ms

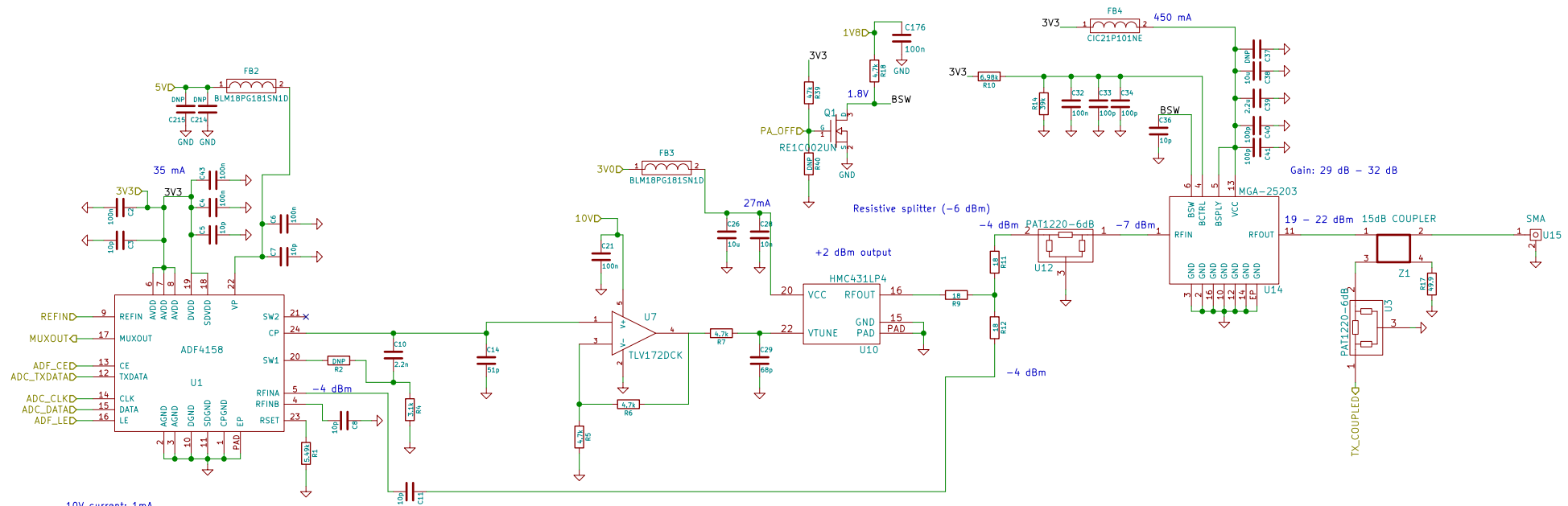
Quiescent current
 1V0: 97 mA
 1V8: 22 mA
 3V3: 2 mA







Sheet: /fpga/adc/	
File: adc.sch	
Title:	
Size: A4	Date:
KiCad E.D.A. kicad (2017-07-28 revision 75cda50)-master	
Rev:	Id: 4/10



10V current: 1mA
 3.3V current: 600mA
 5V current: 1mA

Gain: 29 dB - 32 dB

Resistive splitter (-6 dBm)

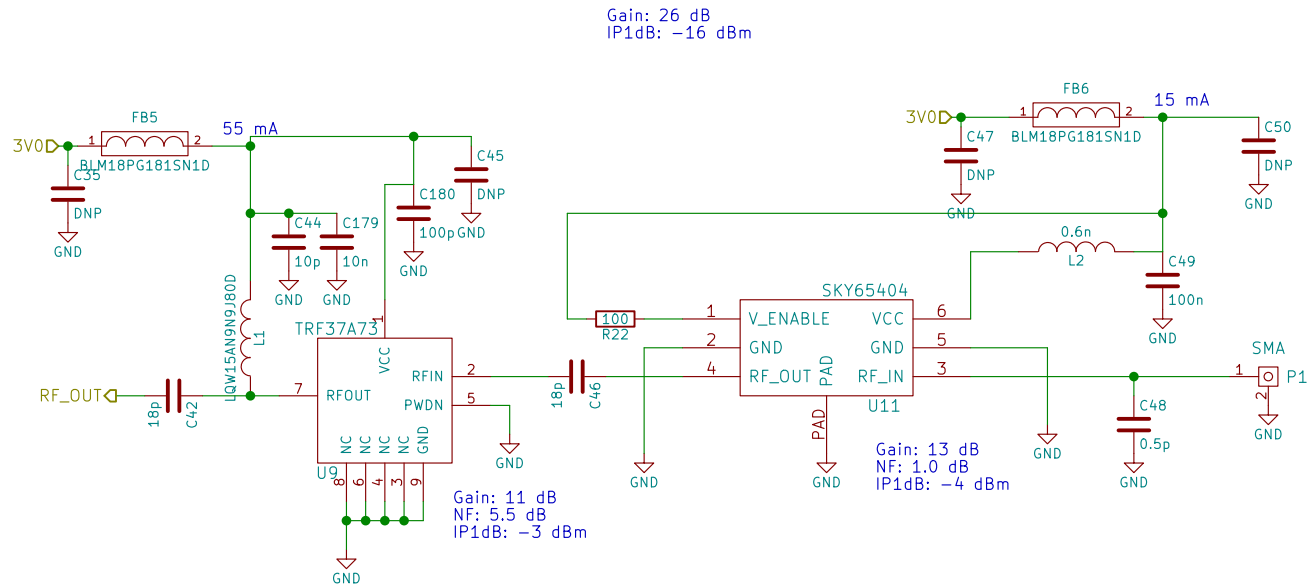
+2 dBm output

-4 dBm

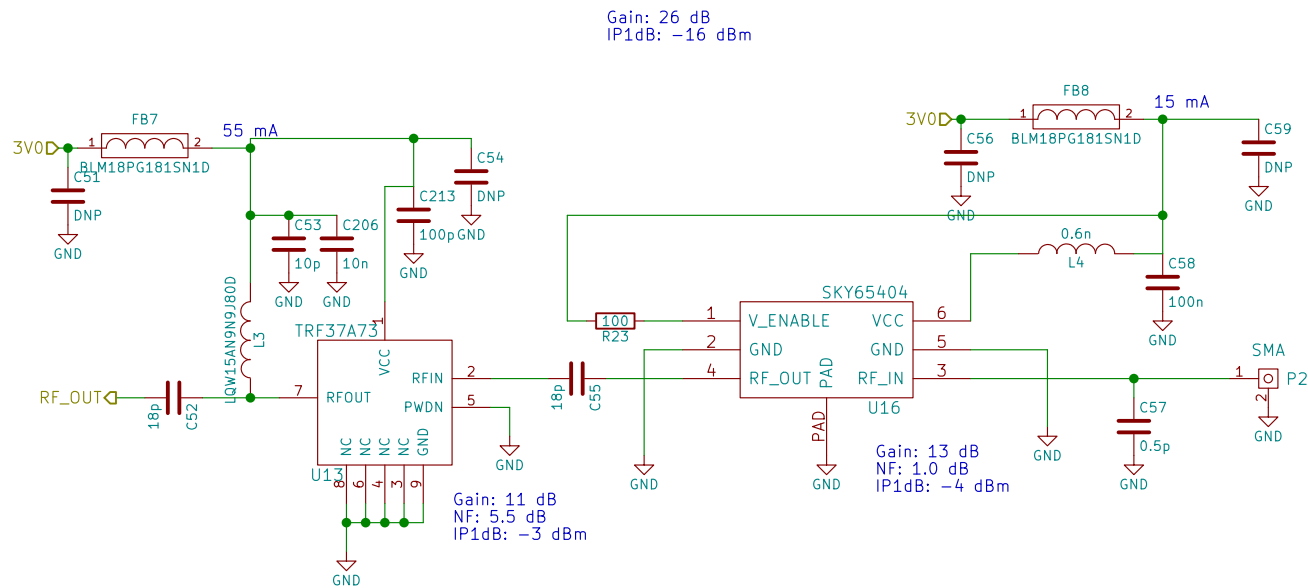
-7 dBm

-4 dBm

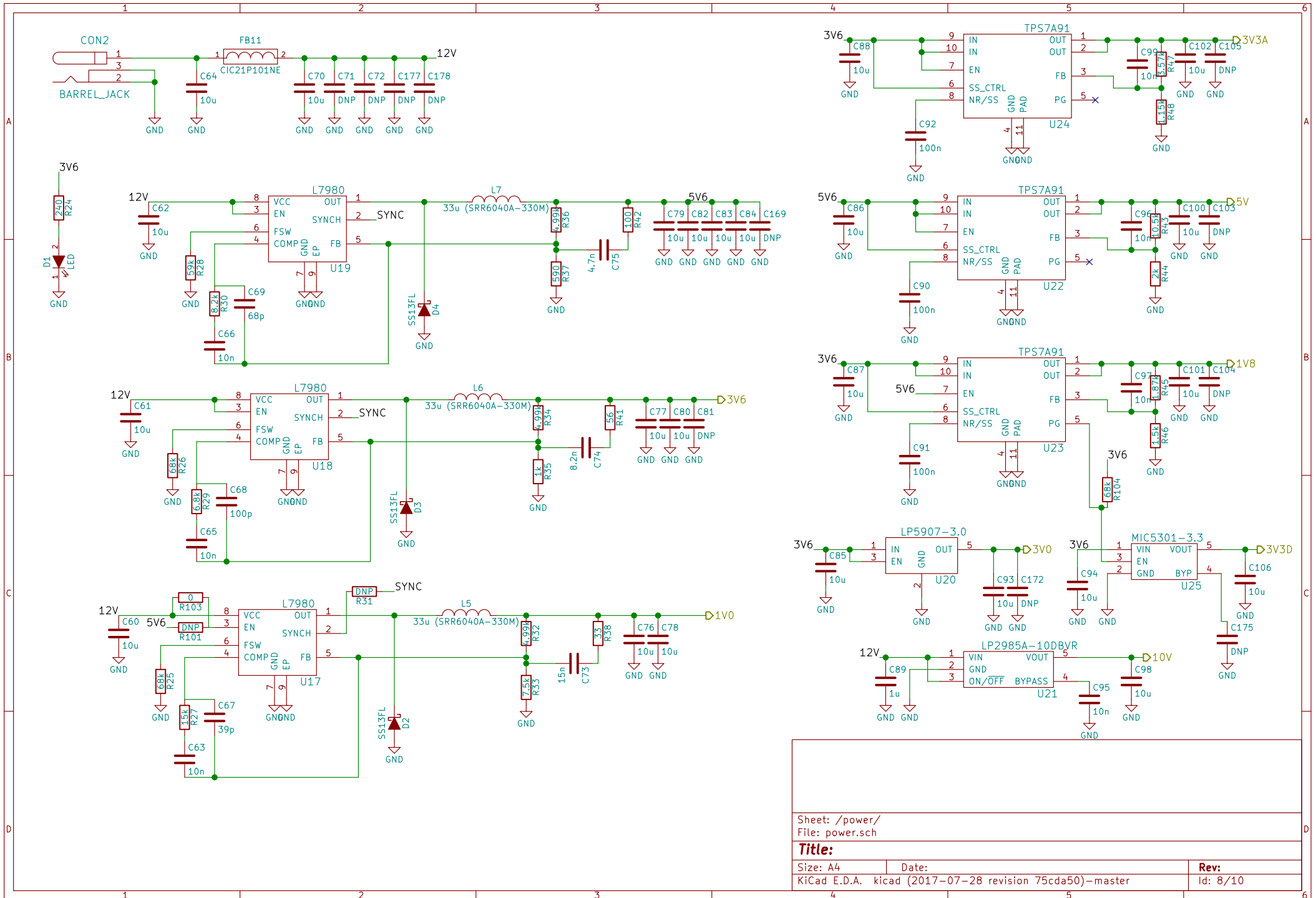
Sheet: /tx/ File: tx.sch		
Title:		
Size: A3	Date:	Rev:
KiCad E.D.A. kicad (2017-07-28 revision 75cda50)-master		
Id: 5/10		



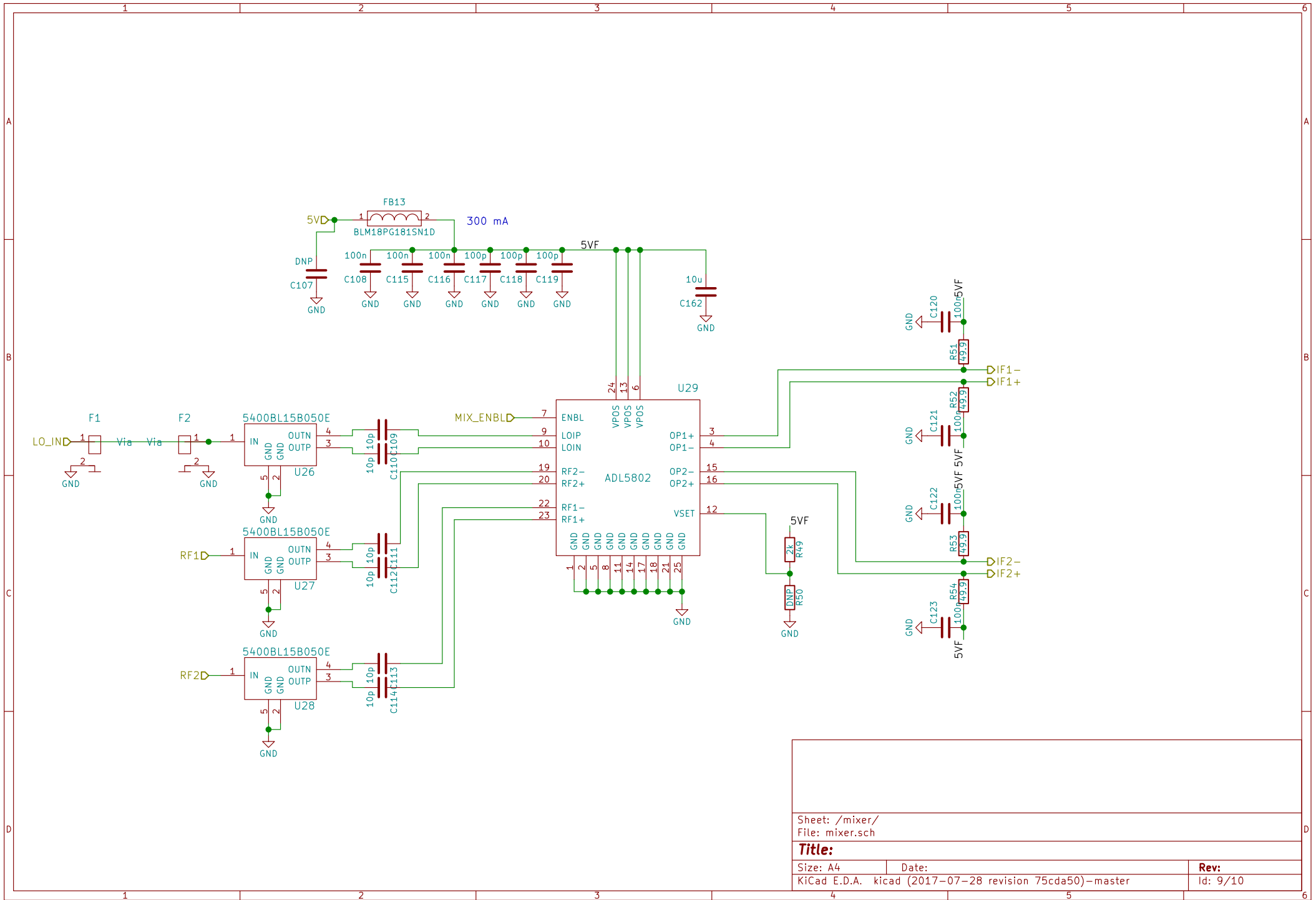
Sheet: /rx1/		Date:	
File: rx.sch		Rev:	
Size: A4	KiCad E.D.A. kicad (2017-07-28 revision 75cda50)-master		Id: 6/10



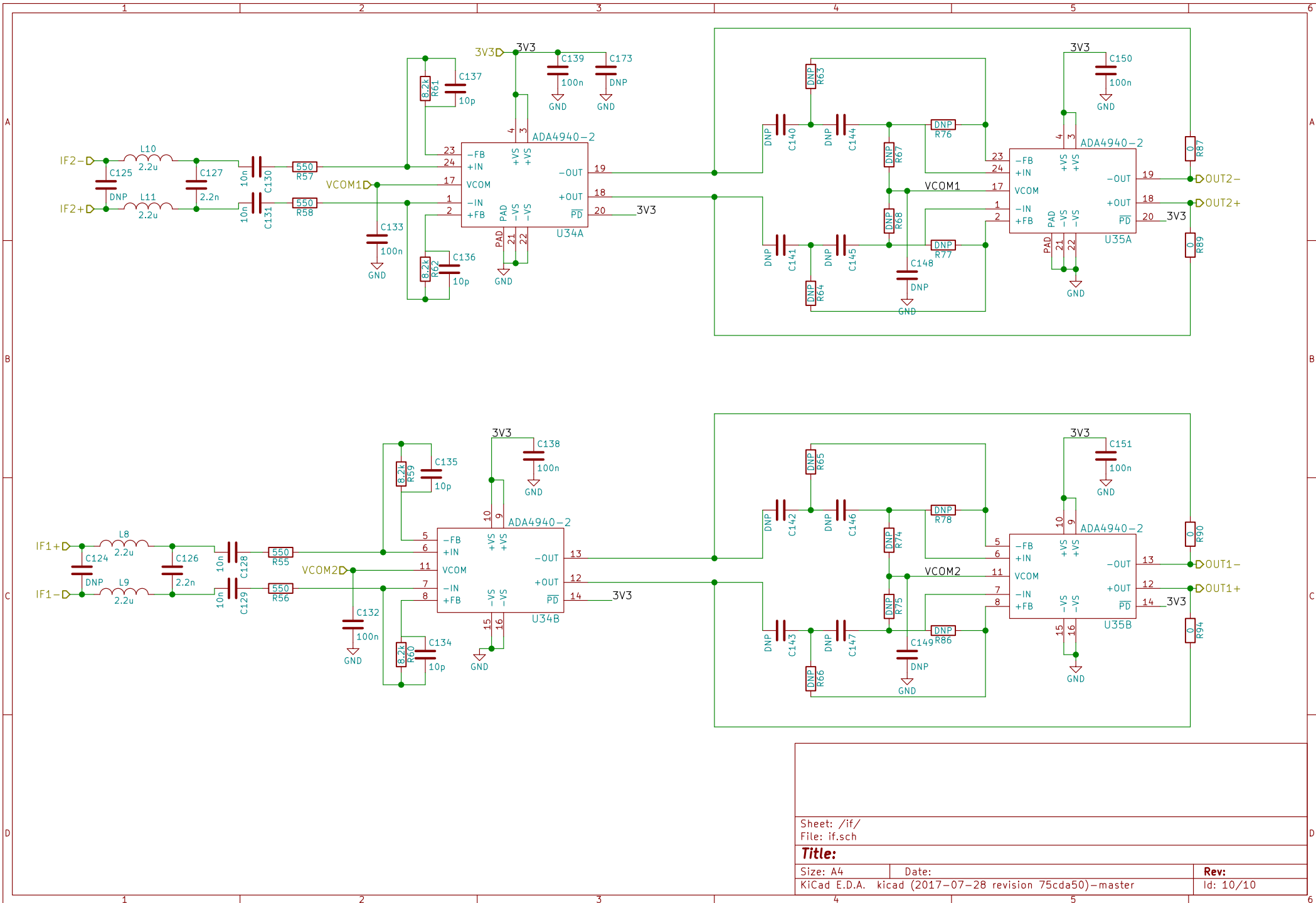
Sheet: /rx2/		Date:	
File: rx.sch		Rev:	
Size: A4	KiCad E.D.A. kicad (2017-07-28 revision 75cda50)-master		Id: 7/10



Sheet: /power/	
File: power.sch	
Title:	
Size: A4	Date:
KiCad E.D.A. kicad (2017-07-28 revision 75cda50)-master	
Rev:	Id: 8/10



Sheet: /mixer/		Date:	
File: mixer.sch		Rev:	
Size: A4	KiCad E.D.A. kicad (2017-07-28 revision 75cda50)-master		Id: 9/10



Sheet: /if/
File: if.sch

Title:

Size: A4 Date: 2017-07-28 revision 75cda50)-master
KiCad E.D.A. kicad (2017-07-28 revision 75cda50)-master

Rev:
Id: 10/10